

**NSF ♦ MSF SOFTBALL - MINNESOTA SPORTS FEDERATION
2014 CLASS C MEN'S FASTPITCH STATE CHAMPIONSHIPS
AUGUST 8-10 CASWELL PARK, NORTH MANKATO**

UNDEFEATED BRACKET



**NSF ♦ MSF SOFTBALL
20 Teams
THREE GAME GUARANTEE**

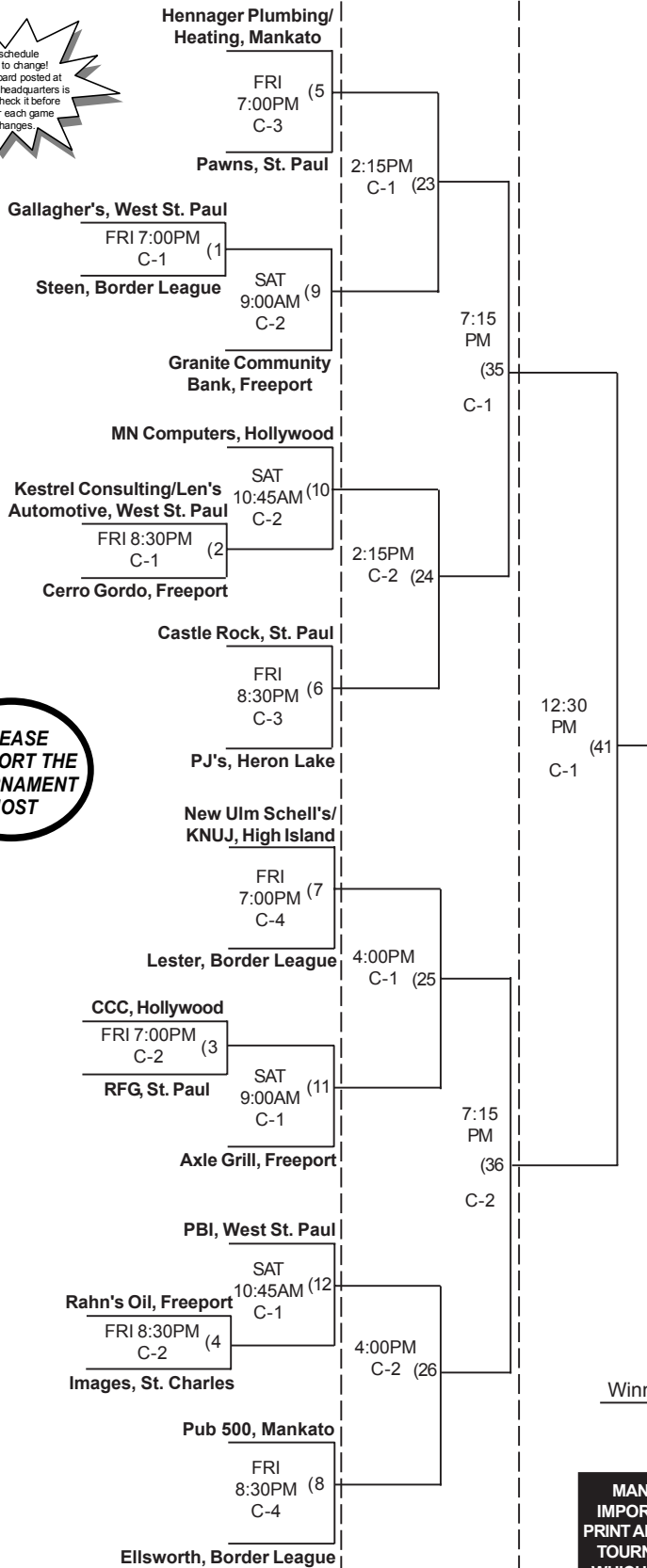
This schedule subject to change!
Bracket board posted at tournament headquarters is official! Check it before and after each game for changes.

FRIDAY & SATURDAY

SATURDAY

SUNDAY

**PLEASE
SUPPORT THE
TOURNAMENT
HOST**



PROUD SPONSORS



**CLASS C
MEN'S
FASTPITCH
STATE
CHAMPIONS**

**CLASS C
MEN'S
FASTPITCH
STATE
CHAMPIONS**

MANAGERS - VERY IMPORTANT THAT YOU PRINT AND READ THE PRE-TOURNAMENT PACKET WHICH IS ADJACENT TO THE TOURNAMENT BRACKET ON THE MSF1.ORG WEB SITE.

Teams should continue to check schedule through 12 noon Friday in case there are changes due to forfeits or corrections.

LOSS BRACKET

SATURDAY

SUNDAY

